

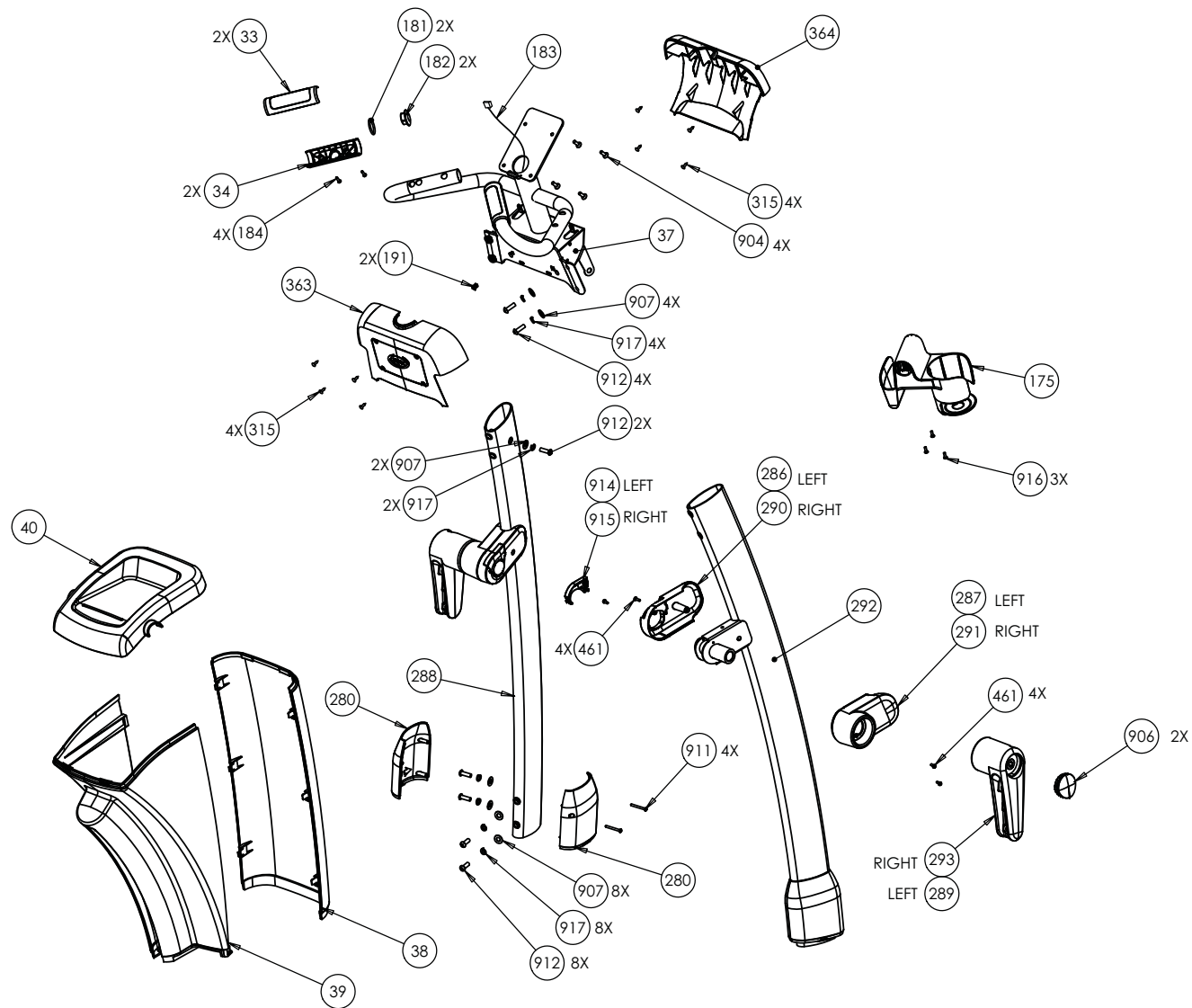
EFX 885/835/PVS15	P/N : 300822-101	SUBREV : D
DRAWN BY : C THOMSON	DATE : 23 MAR 2011	SHEET 1 OF 9

4

3

2

1

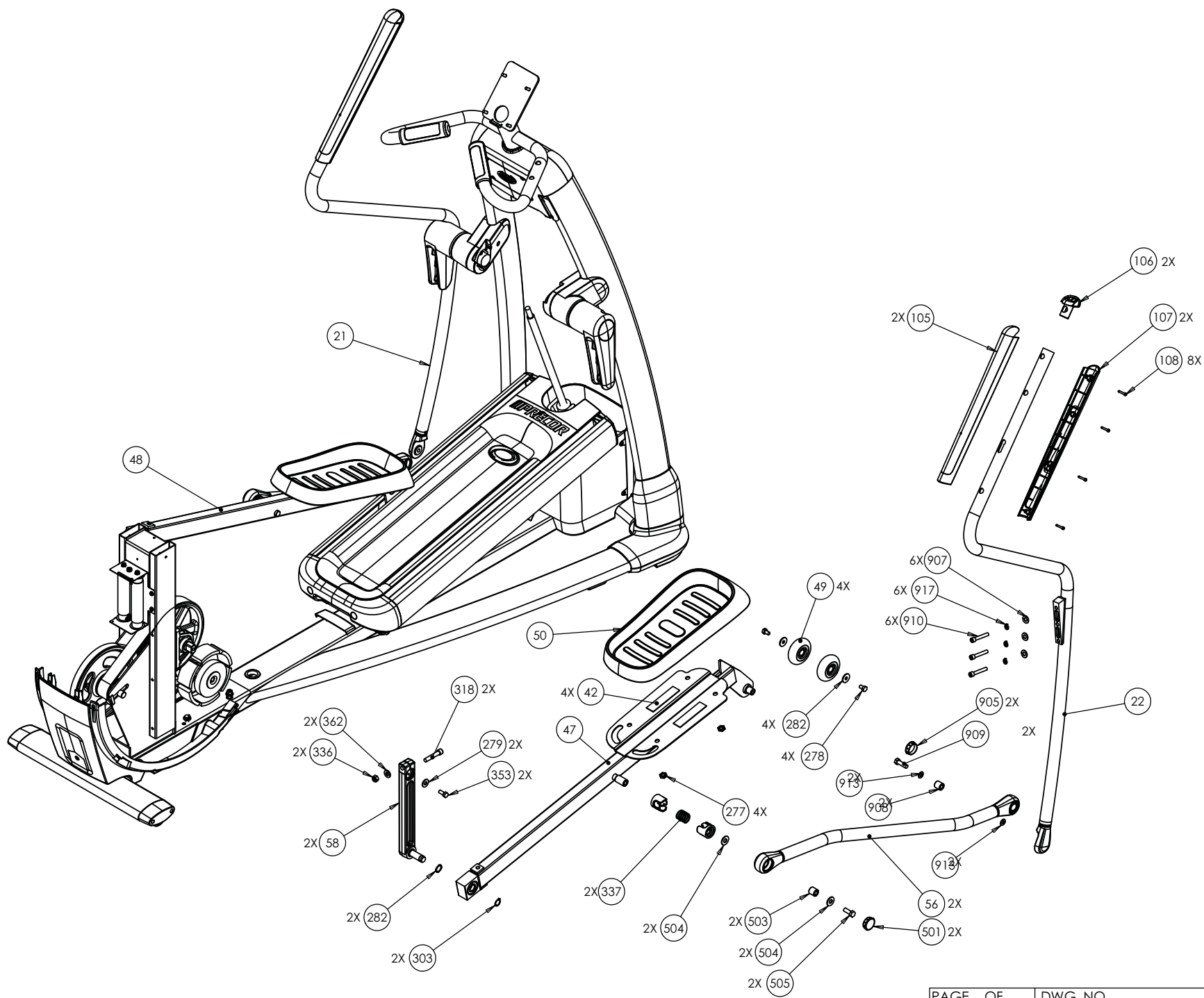


4

3

2

1



D

C

B

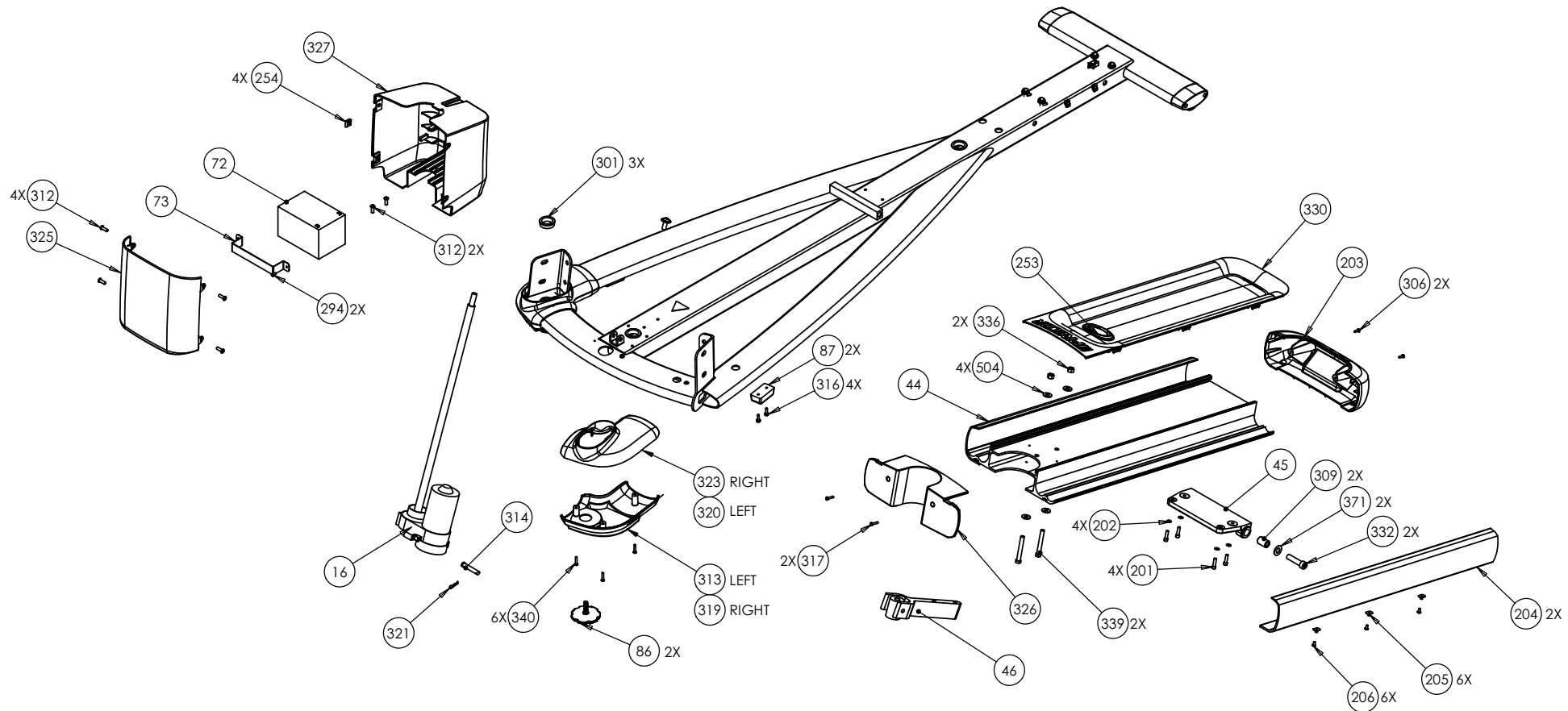
A

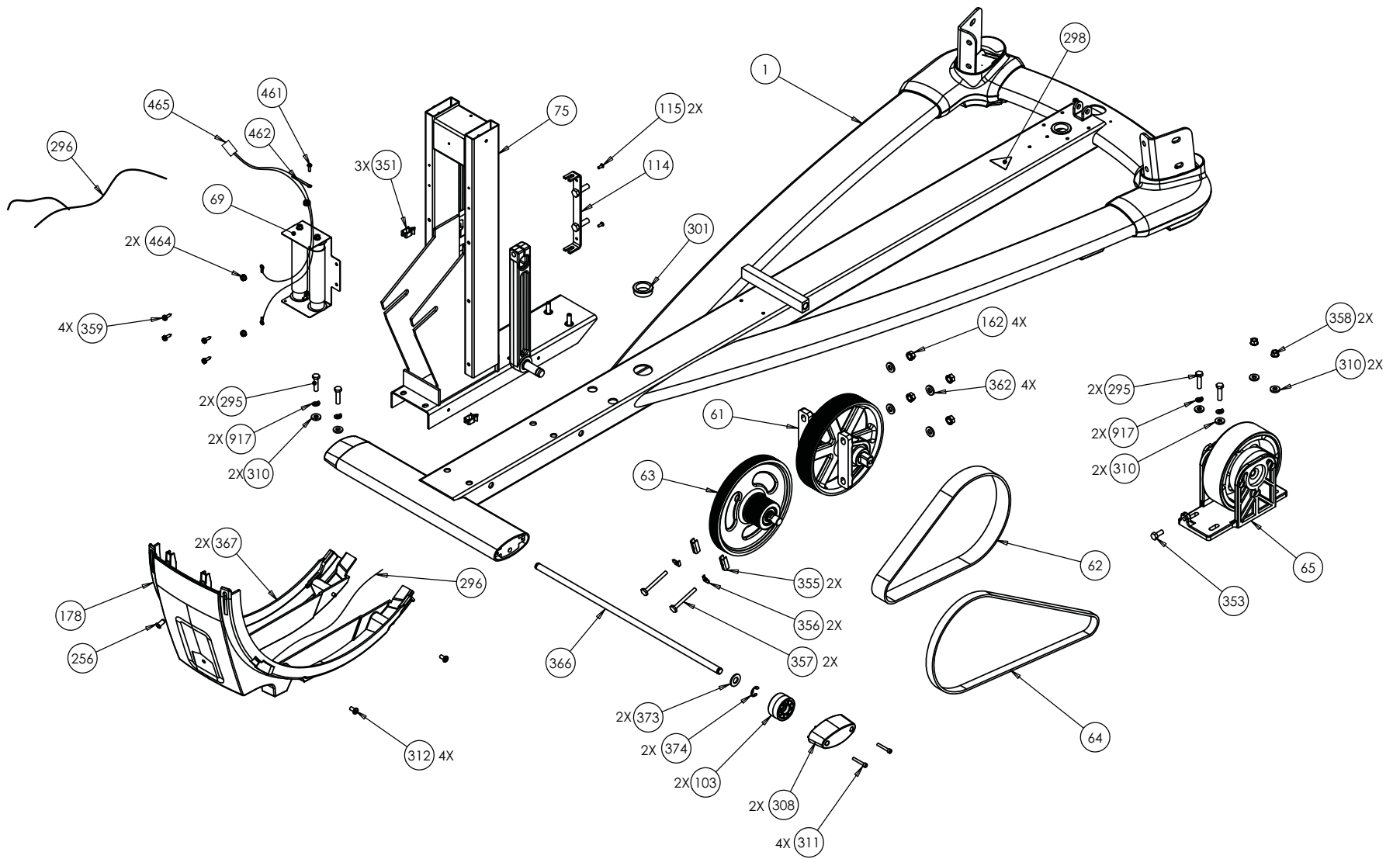
4

3

2

1



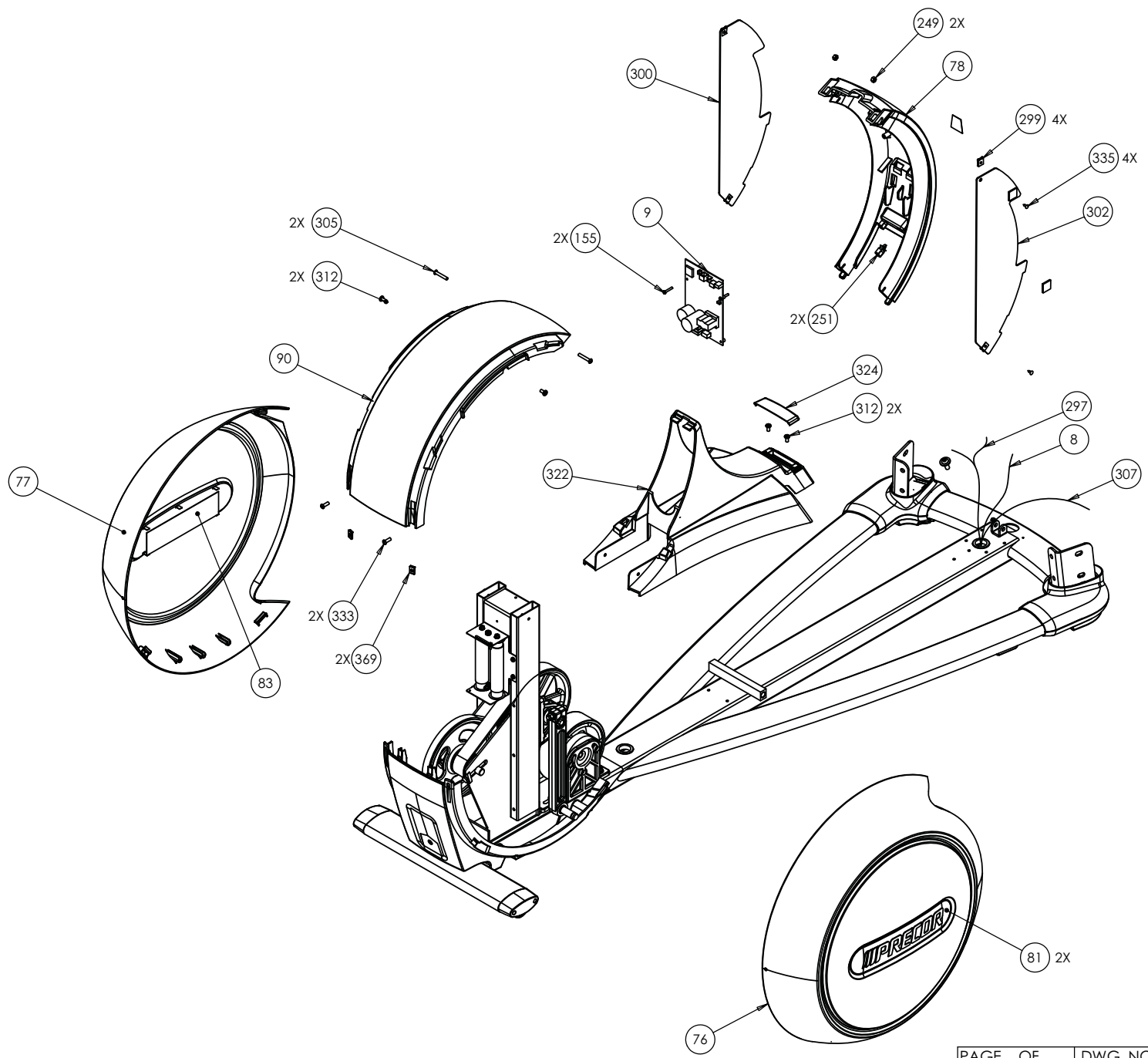


4

3

2

1

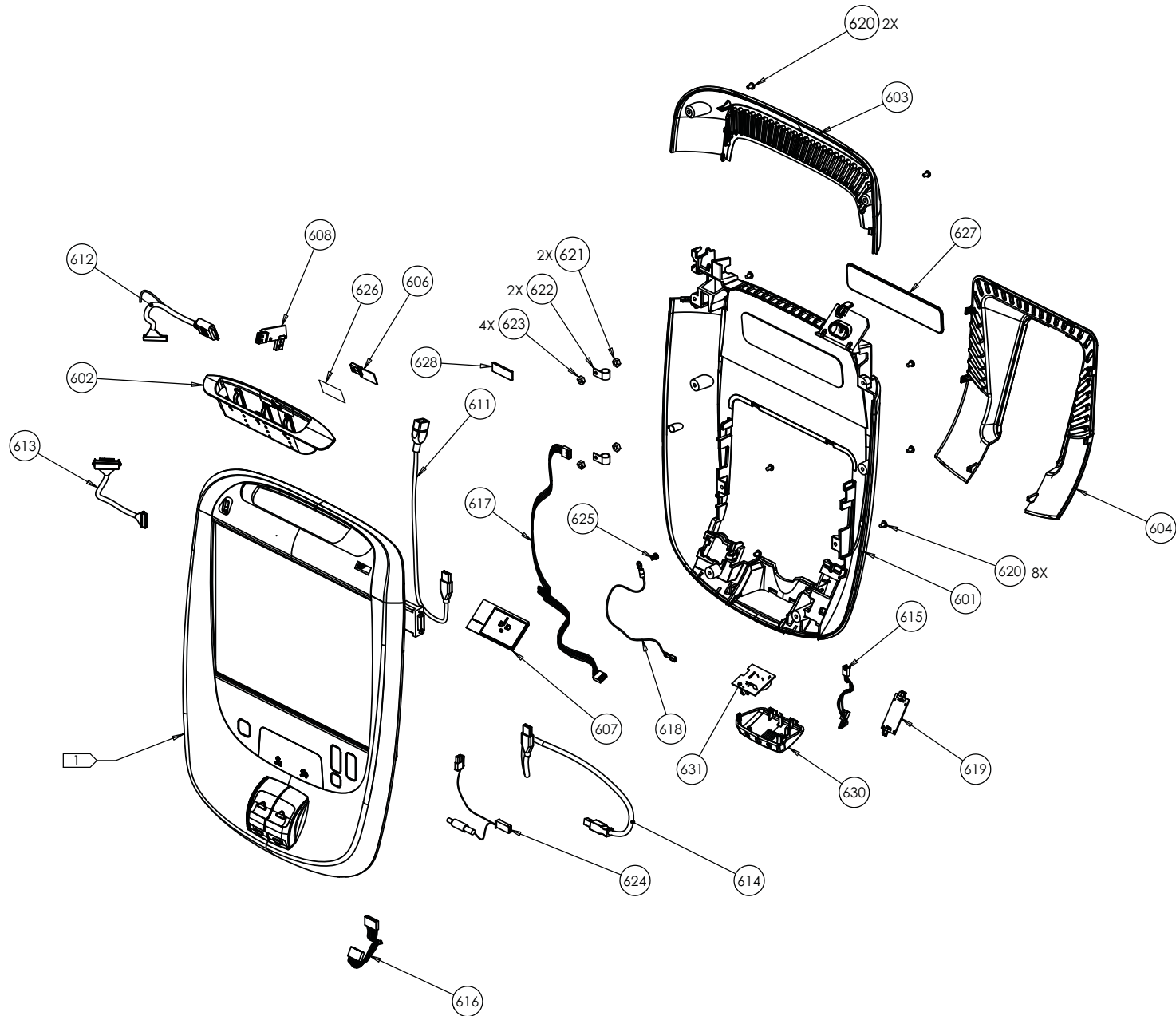


4

3

2

1

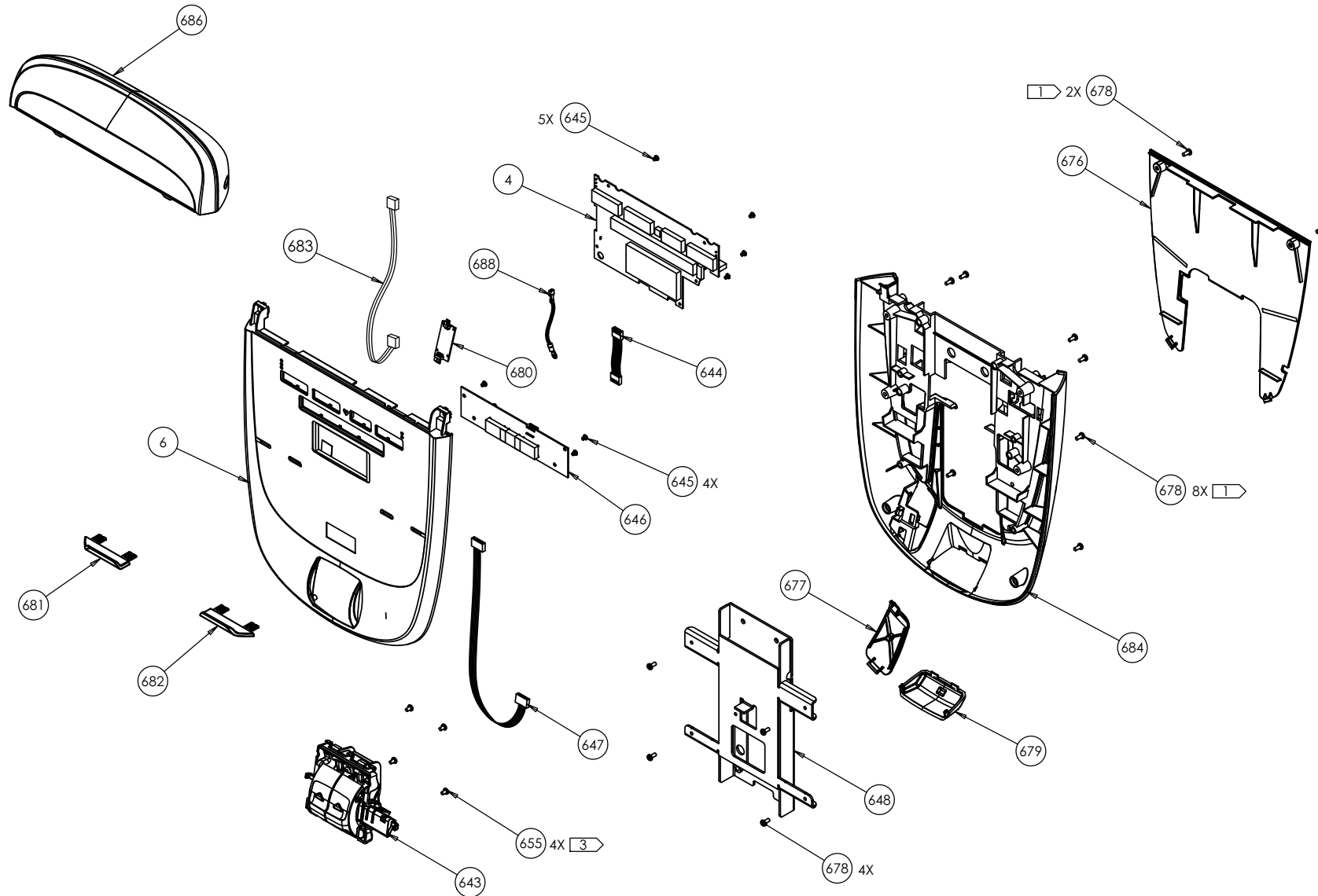


EFX 885 ONLY

NOTES:

- THIS IS A COMPLETE DISPLAY ASSEMBLY, PACKAGED FOR SHIPPING.
- ORDER BUBBLE #650 FOR WARRANTY REPLACEMENTS, OR ANY RELATED PART NOT SHOWN SEPARATELY.
- ORDER BUBBLE #600 FOR PURCHASED REPLACEMENTS, OR ANY RELATED PART NOT SHOWN SEPARATELY.

PAGE	OF	DWG. NO.	SUBREV
7	9	300822-101	D



NOTES:

1 TORQURE TO 10 IN-LB±1 IN-LB.

2 TORQURE TO 19 IN-LB±1 IN-LB.

3 TORQURE TO 6 IN-LB, MAX.

EFX 835 ONLY

D

C

B

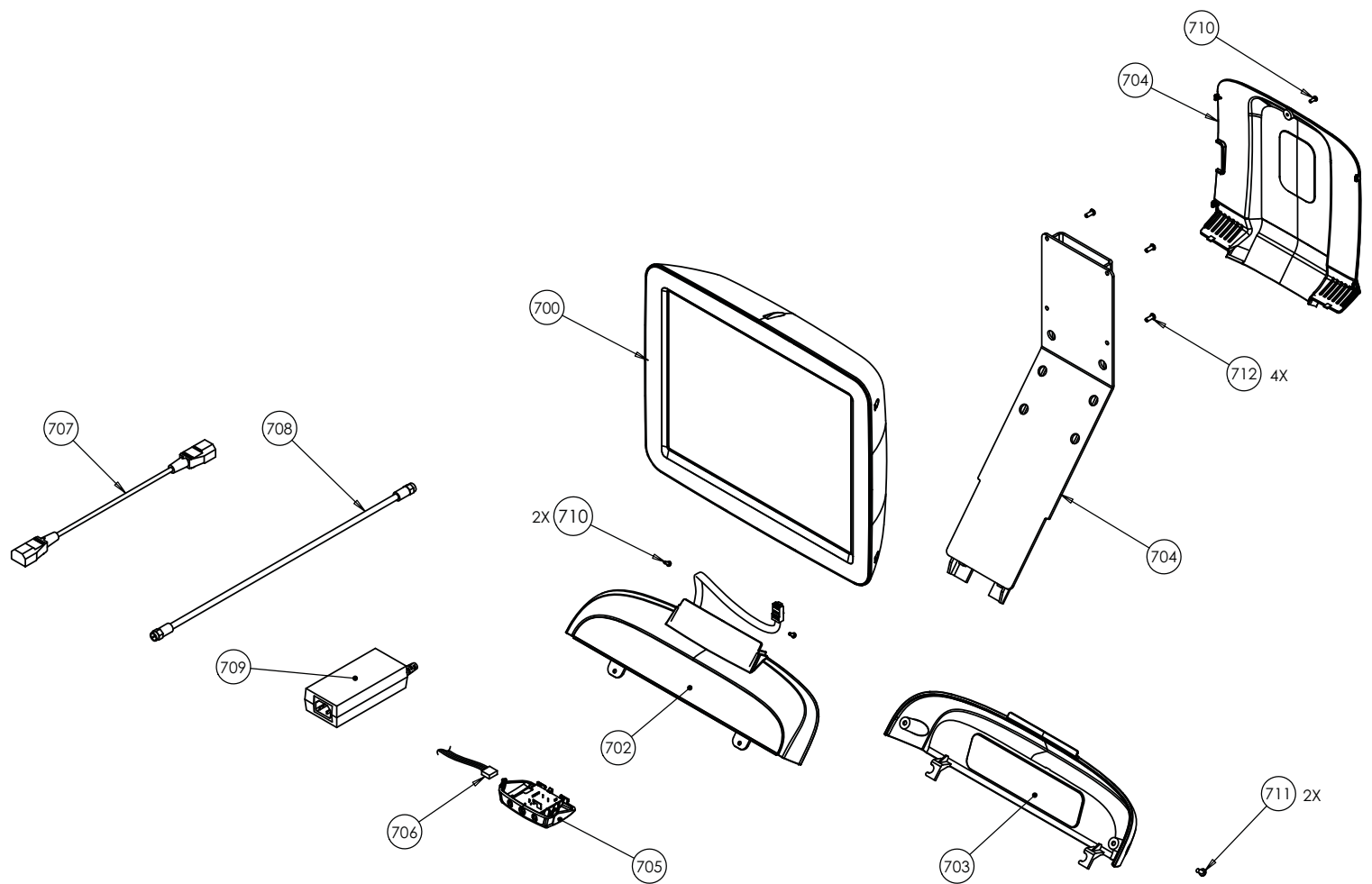
A

4

3

2

1



EFX 835 (serial code AEXX + AMYG)

Part Number	Description	Bubble Number
PPP00000044905156	ASSY,CBL,MOD,8P8C,1-1,SILVER,156"	8
PPP00000049444101	ASSY, LOWER PCA & SW, LCSPAM EFX, 6	9
PPP00000039797105	ACTUATOR, LIFT,SELF POWERED EFX, W/	16
PPP00000039766107	ASSY, HANDLEBAR, LH, MOVEABLE,PACIF	21
PPP00000039766108	ASSY, HANDLEBAR, RH, MOVEABLE,PACIF	22
PPP00000042713102	HHHR SENSOR, TOP	33
PPP00000042714102	HHHR SENSOR,BOTTOM	34
PPP000000300260102	WELDMENT,DISPLAY MOUNT,EFX10	37
PPP00000039737102	LIFT COVER, FRONT, PACIFIC BLUE	38
PPP00000039736103	LIFT COVER, REAR, PACIFIC BLUE	39
PPP00000039738102	CROWN, LIFT COVER, PACIFIC BLUE	40
PPP00000039874101	DOUBLE ADHESIVE FOAM TAPE 1" X 4"X1	42
PPP00000039776103	ASSEMBLY, RAMP, EFX	44
PPP00000039779102	ASSY, RAMP PIVOT	45
PPP00000039783101	ASSY, LIFT NUT AND YOKE	46
PPP00000050589104	ASSY, STAIRARM, C556/C576I, RIGHT,	47
PPP00000050589103	ASSY, STAIRARM, C556/C576I, LEFT, S	48
PPP00000048336101	WHEEL,OVERMOLDED,BLACK	49
PPP00000057055103	EFX PEDAL/TAPE KIT, PAC. BLUE EFX'S	50
PPP00000039768102	ASSEMBLY,LINK,TOTAL BODY	56
PPP00000039833102	ASSEMBLY, CRANK ARM, COMMERCIAL, 10	58
PPP00000039825101	ASSEMBLY, DRIVE INPUT SHAFT WITH BE	61
PPP00000010217138	BELT, DRIVE, 360J16 POLY V	62
PPP00000045974101	SY,STEP-UP,17:1 DRIVE,EFX	63
PPP00000010217139	BELT, DRIVE, 460J8 POLY V	64
PPP00000039769102	ASSEMBLY, RESISTOR W/MINI-FIT CABLE	69
PPP00000012258070	BATTERY,SLA,12V,7AH,.187 TABS	72
PPP00000039820102	BRACKET, BATTERY MOUNT, C556I RX,	73
PPP00000039701101	ASSEMBLY, DRIVE WELDMENT, C576I	75
PPP00000039731104	ASSEMBLY, SIDE COVER , RH, PACIFIC	76
PPP00000039731103	ASSEMBLY, SIDE COVER ,LH, PACIFIC B	77
PPP00000039864103	ASSY, REAR COVER, FRONT,PACIFIC BLU	78
PPP00000039792102	LABEL, EFX COVER, REAR, NEW LOGO	81
PPP00000040121102	LABEL, WIRING DIAGRAM, EFX (W/ P80,	83
PPP00000039916103	FOOT, ADJUSTING,NO LOGO	86
PPP00000031074104	FOOT, FIXED,	87
PPP00000039868102	ASSY, REAR COVER, TOP,PACIFIC BLUE	90
PPP00000011075110	FUSE,6.30A,250VAC,SLOW,RADIAL	92
PPP00000039744102	WHEEL, TRANSPORT, MOLDED	103
PPP00000039845203	FRONT, HANDGRIP, OVERMOLDED, PACIFI	105
PPP00000039844104	CAP, HANDGRIP, PACIFIC BLUE	106
PPP00000039846203	BACK, HANDGRIP, OVERMOLDED, PACIFIC	107
PPP000000CCNN016113	SCREW,SKHD,8-32X1.125L,SS	108
PPP000000MGCN016100	MACHINE SCREW, 8-32 X 1, PAN HEAD	155
PPP000000KGCN038033	LOCKNUT, STARWASHER, 3/8-16	162
PPP00000049364101	ASSY, WATER BOTTLE HOLDER	175
PPP00000039819103	ASSEMBLY, REAR COVER BOTTOM,PACIFIC	178
PPP00000010115113	O-RING, ROUND, 1.25ID X .139	181
PPP00000042730101	PLUG, HHR, HANDLE BAR END	182
PPP00000047342045	ASSY, CABLE, HHR PCA TO GRIP, W/SH	183
PPP000000TCNN016075	SCREW, BTHD, 8-32X.75,SS	184
PPP00000012628101	INSERT, SQUARE, NYLON	191
PPP000000CATN025088	SCREW,SKHD,1/4-20X7/8,BLK SHARPERIZ	201

EFX 835 (serial code AEXX + AMYG)

Part Number	Description	Bubble Number
PPP00000WPNN026003	WASHER, FLAT, .255 X .468 X .029, S	202
PPP000000039741102	RAMP END CAP, REAR, SILVER GRAY	203
PPP000000039778101	CHANNEL, RAMP, EFX	204
PPP000000039850101	T-NUT	205
PPP00000TBTN019038	SCREW,BTHD,10-32X3/8,BLK SHARPERIZE	206
PPP0000KAENN025024	NUT,HEX,1/4-20,NYLON	249
PPP000000011278101	CABLE CLAMP,INSERT	251
PPP000000039806101	LABEL, SIDE ELIPTICAL,REXAPEX	253
PPP000000010136103	CLIP,U TYPE, TINNEMAN, 1/4-20	254
PPP000000039727102	REX BOTTOM COVER, REAR, PACIFIC BLU	255
PPP000000048486102	RIVET,PLASTIC, CHRISTMAS TREE, .50	256
PPP000000012647101	PALNUT, SELF THREADING NUT, REG. TY	277
PPP00000HECE031050	SCREW, HEX, 5/16-18 X 1/2, ZINC	278
PPP00000WCCN031008	WASHER, FLT, 5/16X.875X.083	279
PPP000000039873102	ASSY, TARGA BOOTS,SILVER GRAY	280
PPP00000WNNN032009	WASHER,FLT, .321X1.00X.090 THK	282
PPP000000039747105	PIVOT COVER, INNER, LH, SILVER GRAY	286
PPP000000039747106	PIVOT COVER, OUTER, LH, SILVER GRAY	287
PPP000000039761105	WELDMENT, UPRIGHT, LH,PT	288
PPP000000039788105	ASSY, MAIN PIVOT, LEFT	289
PPP000000039747107	PIVOT COVER, INNER, RH, SILVER GRAY	290
PPP000000039747108	PIVOT COVER, OUTER, RH, SILVER GRAY	291
PPP000000039761106	WELDMENT, UPRIGHT, RH,PT	292
PPP000000039788106	ASSY, MAIN PIVOT, RIGHT	293
PPP00000MGCN016038	SCREW,MCH,8-32X3/8,PANHD,PHIL,	294
PPP00000HCCN031125	SCREW,HEX,GR 5,5/16-18X1.25,ZN	295
PPP000000047840033	CBL, 2C,16 AWG, MINI-FIT PLUG/250 X	296
PPP000000045334080	ASSY,CBL,18AWG,FLAG QC CONN,80"	297
PPP000000047545101	LABEL, CAUTION PINCH POINTS	298
PPP000000010136101	CLIP, U TYPE, TINNEMAN, #8	299
PPP000000039862103	ASSY, COVER, REAR CURTAIN, LH	300
PPP000000010178112	BUSHING, SNAP	301
PPP000000039862104	ASSY, COVER, REAR CURTAIN, RH	302
PPP00000ABHN017001	RING, RETAINER, EXTERNAL	303
PPP0000PANTN025150	SCREW, SELF TAPPING, 1/4-20 X 1.50,	305
PPP00000PMTN016050	SCREW,TCS,#8X1/2,PHIL,BLK SHARPERIZ	306
PPP000000045205078	ASSY,CBL,18AWG,6P5C,MINI-FIT,78"	307
PPP000000039786103	WHEEL, COVER, REAR, SILVER GRAY	308
PPP000000043798103	SHAFT, PIVOT BLOCK, C5X6-NC	309
PPP0000WBANN034013	WASHER,FLAT,ID=11/32,OD3/4,TH=.125,	310
PPP00000CAMN019125	SCREW, SKHD,10-24 X 1.25,ZN (MECH P	311
PPP0000PANTN025050	SCREW,S/T,#1/4-20X1/2,PANHD,PHIL,TR	312
PPP000000039816103	TARGA BOOT, LOWER,LEFT, SILVER GRAY	313
PPP000000010401107	PIN, CLEVIS, 3/8 X 2.13, ZINC	314
PPP00000PGTN016063	SCREW,S/T,#8X5/8,TRS,PHIL,BLK SHARP	315
PPP00000PKCN019075	SCREW,S/T,#10X.75,WSHHXHD,ZN	316
PPP00000PMTN016050	SCREW,TCS,#8X1/2,PHIL,BLK SHARPERIZ	317
PPP00000CAMN038200	SCREW,SKHD,3/8-16X2,ZN (MECH PLATIN	318
PPP000000039816104	TARGA BOOT, LOWER,RIGHT, SILVER GRA	319
PPP000000039817105	TARGA BOOT, UPPER, LEFT, SILVER GRA	320
PPP000000010400103	PIN, HITCH, .093 DIA, ZINC, #203	321
PPP000000039729103	REX WEDGE, REAR, PACIFIC BLUE	322
PPP000000039817106	TARGA BOOT, UPPER, RIGHT, SILVER GR	323

EFX 835 (serial code AEXX + AMYG)

Part Number	Description	Bubble Number
PPP00000039730102	REAR COVER ACCESS, PACIFIC BLUE	324
PPP00000039734102	LIFT PEDESTAL, FRONT, PACIFIC BLUE	325
PPP00000039742102	RAMP END CAP, FRONT, PACIFIC BLUE	326
PPP00000039784102	ASSY, LIFT PEDESTAL,REAR,PACIFIC BL	327
PPP0000WAGNN062001	WASHER, WAVE, .87 OD X .62 ID	328
PPP00000039791102	ASSY, RAMP, CENTER COVER,PACIFIC BL	330
PPP00000039843104	SPACER, LOWER LINK, MOLDED	331
PPP00000CAMN050200	SCREW, SKHD, 1/2-13 X 2.00, CLEAR M	332
PPP0000PANTN025075	SCREW, SELF TAPPING, 1/4-20 X 0.75,	333
PPP00000PGTN016063	SCREW,S/T,#8X5/8,TRS,PHIL,BLK SHARP	335
PPP00000KDCN038034	LOCKNUT, FULL, 3/8-16, BLK ZN	336
PPP000000048529101	SPRING, LINK ARM	337
PPP00000HCCN038275	SCREW,HEX, GR5,3/8-16X2 3/4, ZN	339
PPP00000PMTN016088	SCREW,TCS,#8X7/8,PHIL,BLK SHARPERIZ	340
PPP000000011278101	CABLE CLAMP,INSERT	351
PPP00000HCCN031075	SCREW, HEX HD, GRADE 5, 5/16-18 X .	353
PPP000000037385101	BRACKET, TENSIONER	355
PPP000000037855103	TAB, LOCKING	356
PPP00000HACN025250	SCREW,1/4-20X2-1/2,HEX,GR 2,ZN	357
PPP00000KGCN031027	LOCKNUT,STARWASHER,5/16-18,1/2	358
PPP00000PKCN019050	SCREW,S/T,#10X1/2,WSHHXHD,ZN	359
PPP00000WRCN038011	WASHER,GRADE 8,3/8,13/32 ID,13/16OD	362
PPP000000039746102	SHIELD, TARGA REAR, SILVER GRAY	363
PPP000000039745103	SHIELD,TARGA FRONT, SILVER GRAY	364
PPP000000049722102	AXLE,WHEEL,EFX	366
PPP000000012716101	CABLE CLIP, DIE COMPANY	367
PPP000000010136103	CLIP,U TYPE, TINNEMAN, 1/4-20	369
PPP00000WBCN050010	WASHER, FLT, 1/2, ID=.531,	371
PPP00000WBCN050010	WASHER, FLT, 1/2, ID=.531,	373
PPP00000AEHN050004	E-RING,.50 DIA X .42 THICK	374
PPP00000PMTN016050	SCREW,TCS,#8X1/2,PHIL,BLK SHARPERIZ	461
PPP000000012103101	CLAMP,CABLE,VINYL COATED	462
PPP00000KNCN019013	NUT,HEX,10-32,ZINC	464
PPP000000048133015	ASSY,CBL,2C,HIGH TEMP,16AWG,#10 RIN	465
PPP000000047002102	CAP, TUBE, PLASTIC, ROUND, 1.625 DI	501
PPP000000047001101	SHAFT, LINK BUSHING, 556I	503
PPP00000WCCN038008	WASHER, FLT, 3/8X1.00X.083	504
PPP00000HCCE038150	SCREW,HEX,GR 5,3/8-16X1 1/2,ZN,LK	505
PPP0000WALCN031008	WASHER, 5/16 SPLIT LOCK, ZINC	917
PPP000000301496141	LITERATURE KIT, EFX, MOVABLE HANDLE	999